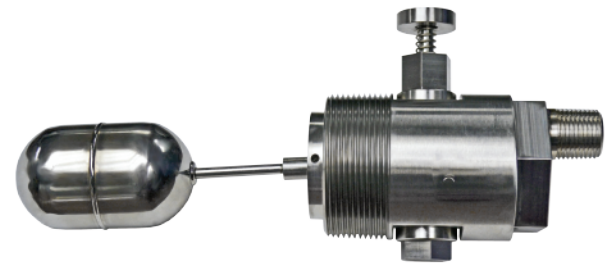


L072 SERIES

SIDE-MOUNT FLOAT SWITCH WITH MANUAL RESET

DESCRIPTION

The horizontally-mounted L072 is a rugged, hazardous duty level switch equipped with a "push to test" function for monitoring liquid levels. Its all stainless steel construction and ultra-light float provide reliable performance in numerous media and the ability to sense dissimilar fluid interfaces within a 0.1 differential. The L072 is FM-approved for Class I, Div I, Groups A, B, C, D, E, F & G hazardous locations and can withstand pressures up to 1,000 PSIG. Units can be installed for either normally-open or normally-closed operation.



L072

PRINCIPLE OF OPERATION

An encapsulated magnet within the float assembly actuates a sealed reed switch located in a separate chamber. As the magnetic field approaches or moves from the switch, it creates an open or closed circuit. The manual override button physically moves the float rod to open or close the switch.

KEY FEATURES

- Manual Push to Test Function
- Available Up to 1,000 PSIG
- Operates on Rising or Falling Level
- Reliable Reed Switch Action
- UL, FM & CSA Approved
- Optional Hazardous Area Enclosures & Interface Level Switch Calibration

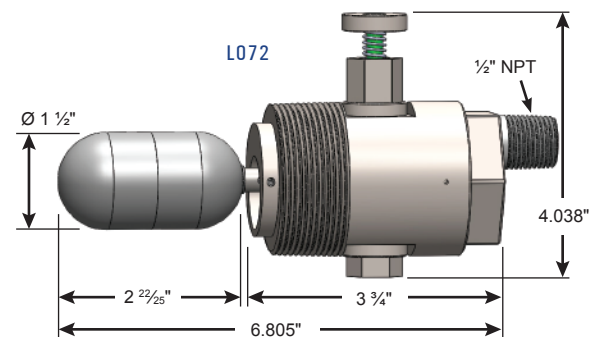
ENVIRONMENTAL

- Process Connections: 1½", 2" NPT (Other Connections Available)

ELECTRICAL

- Switch Rating: SPST 100 VA or SPDT 100 VA
- Optional: On-Board 5 Amp DPDT Relay

DIMENSIONS



SPECIFICATIONS

*SG refers to the recommended minimum liquid specific gravity.

SERIES	MOUNT	STEM/FLOAT	SG*	TEMPERATURE	PRESSURE
L072	1 ½" NPT	316 Stainless Steel	0.40	-40° to +300° F (-40° to +148.9° C)	1,000 PSIG (68.9 bar)
L072	2" NPT	316 Stainless Steel	0.40	-40° to +300° F (-40° to +148.9° C)	1,000 PSIG (68.9 bar)
L072	2" #150 Flange	316 Stainless Steel	0.40	-40° to +300° F (-40° to +148.9° C)	175 PSIG (12.1 bar)
L072	2 ½" #150 Flange	316 Stainless Steel	0.40	-40° to +300° F (-40° to +148.9° C)	175 PSIG (12.1 bar)
L072	3" #150 Flange	316 Stainless Steel	0.40	-40° to +300° F (-40° to +148.9° C)	175 PSIG (12.1 bar)
L072	2" #300 Flange	316 Stainless Steel	0.40	-40° to +300° F (-40° to +148.9° C)	455 PSIG (31.4 bar)
L072	2 ½" #300 Flange	316 Stainless Steel	0.40	-40° to +300° F (-40° to +148.9° C)	455 PSIG (31.4 bar)
L072	3" #300 Flange	316 Stainless Steel	0.40	-40° to +300° F (-40° to +148.9° C)	455 PSIG (31.4 bar)



SOLUTIONS WITH INNOVATION
AN INNOVATIVE SENSING COMPANY

